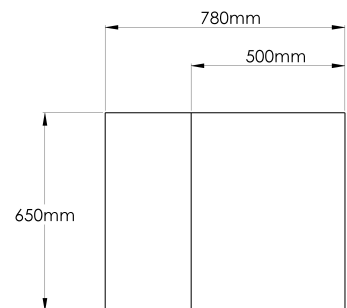




Wedge 2s Low Back Single Sided



Height: 760 mm
Seat Height: 455 mm

Features

- Part of an integrated modular product range
- Compact size maximizes use of floor space
- Comfort is achieved with high resilient Dunlop foams in combination with correct seating height
- Heavy duty construction makes this product ideal for commercial applications
- Fixed seat cushioning
- 25mm high nylon glide
- Bassett 2 year commercial warranty

Construction

- Enduro 38/200 Dunlop seat foam
- HMR board sub frame
- Glued, screwed & nailed frame
- Solid seat suspension
- Seams internally stitched then top stitched